

LAMPIRAN 1

Tabel 1. Suhu Luar Kamar 553 & 538 – Data Logger

DATA SUHU OUTDOOR (C°) KAMAR 553 (01 – 08 September 2016)											
Waktu Pengukuran	01/09/2016	02/09/2016	03/09/2016	04/09/2016	05/09/2016	06/09/2016	07/09/2016	08/09/2016	RERATA	MIN.	MAX.
24:00 AM	24.0	23.9	22.9	23.1	23.6	23.4	23.2	22.5	23.32	22.5	24.0
01:00 AM	23.6	23.4	22.6	22.9	23.4	22.2	23.2	22.1	22.92	22.1	23.6
02:00 AM	24.0	23.1	22.3	22.5	22.9	22.2	23.1	21.7	22.72	21.7	24.0
03:00 AM	23.7	22.7	21.4	23.2	23.1	21.6	22.8	20.7	22.40	20.7	23.7
04:00 AM	23.3	22.2	21.2	21.9	22.8	20.8	22.9	21.4	22.06	20.8	23.3
05:00 AM	23.3	21.6	21.0	21.4	22.9	21.5	22.1	20.8	21.82	20.8	23.3
06:00 AM	23.0	20.8	21.1	22.9	23.2	20.9	22.5	21.2	21.95	20.8	23.2
07:00 AM	23.6	22.8	22.2	22.8	24.0	23.9	23.4	21.7	23.05	21.7	24.0
08:00 AM	24.7	24.4	23.9	24.3	25.4	25.8	24.5	24.1	24.64	23.9	25.8
09:00 AM	25.6	25.1	25.5	26.6	26.4	26.5	26.2	26.2	26.01	25.1	26.6
10:00 AM	26.8	26.4	26.5	28.3	27.5	27.3	28.4	27.7	27.36	26.4	28.4
11:00 AM	28.3	27.8	28.4	27.8	27.7	28.7	28.7	29.6	28.37	27.7	29.6
12:00 PM	28.8	28.7	29.1	29.4	28.5	29.4	29.1	30.3	29.16	28.5	30.3
13:00 PM	29.5	30.3	30.2	28.4	29.1	30.1	27.9	31.3	29.60	27.9	31.3
14:00 PM	29.9	30.5	29.9	26.6	30.1	29.4	27.9	30.8	29.39	26.6	30.8
15:00 PM	29.2	27.0	27.7	25.8	31.2	30.8	30.1	28.8	28.82	25.8	31.2
16:00 PM	29.1	26.0	26.3	24.3	29.0	30.2	27.7	27.8	27.55	24.3	30.2
17:00 PM	26.7	26.1	24.1	24.3	25.9	27.6	26.1	26.2	25.87	24.1	27.6
18:00 PM	25.4	24.9	23.8	24.9	25.6	26.3	25.7	25.2	25.22	23.8	26.3
19:00 PM	24.6	24.2	24.1	24.4	25.4	25.6	25.6	24.4	24.79	24.1	25.6
20:00 PM	24.3	23.8	23.8	24.2	25.3	25.4	24.9	24.3	24.50	23.8	25.4
21:00 PM	24.3	23.9	23.6	25.1	24.6	24.7	24.2	24.0	24.30	23.6	25.1
22:00 PM	24.1	23.5	23.9	25.2	24.6	24.4	24.1	23.7	24.19	23.5	25.2
23:00 PM	23.7	23.4	23.7	24.0	23.5	23.5	22.9	23.6	23.54	22.9	24.0
RERATA	25.57	24.85	24.55	24.76	25.65	25.51	25.3	25.0	25.15		
MIN.	23.0	20.8	21.0	21.4	22.8	20.8	22.1	20.7		20.70	
MAX.	29.9	30.5	30.2	29.4	31.2	30.8	30.1	31.3			31.30

SUHU OUTDOOR (C°) KAMAR 538											
Waktu Pengukuran	10/09/2016	11/09/2016	12/09/2016	13/09/2016	14/09/2016	15/09/2016	16/09/2016	17/09/2016	RERATA	MIN.	MAX.
24:00 AM	23.4	21.8	21.9	22.1	22.4	23.5	22.9	23.3	22.66	21.8	23.5
01:00 AM	23.0	21.9	22.2	21.4	22.5	22.9	22.9	23.1	22.49	21.4	23.1
02:00 AM	22.7	21.9	22.3	21.2	22.2	22.3	22.9	23.1	22.32	21.2	23.1
03:00 AM	21.7	20.9	21.4	21.5	21.9	21.8	22.5	23.4	21.89	20.9	23.4
04:00 AM	21.5	20.4	21.3	21.1	21.5	21.9	22.1	23.6	21.67	20.4	23.6
05:00 AM	21.2	20.3	21.0	21.2	21.7	21.8	21.8	23.4	21.55	20.3	23.4
06:00 AM	25.2	22.7	23.4	21.8	22.0	24.0	24.1	25.1	23.54	21.8	25.2
07:00 AM	31.8	29.5	25.5	23.4	24.8	29.1	29.8	27.9	27.72	23.4	31.8
08:00 AM	30.6	31.4	28.9	25.5	28.6	32.9	30.4	30.0	29.79	25.5	32.9
09:00 AM	36.2	32.5	28.1	26.2	29.4	33.6	31.5	30.5	31.00	26.2	36.2
10:00 AM	35.4	33.2	27.2	27.0	31.8	33.9	32.3	30.1	31.36	27.0	35.4
11:00 AM	32.3	31.9	28.1	28.3	31.2	31.1	29.6	29.5	30.25	28.1	32.3
12:00 PM	31.4	31.3	28.9	30.1	31.3	30.9	31.1	29.7	30.59	28.9	31.4
13:00 PM	32.0	31.6	27.7	30.7	28.7	30.2	29.6	29.3	29.97	27.7	32.0
14:00 PM	30.5	29.9	27.0	30.0	28.3	29.0	30.0	29.2	29.24	27.0	30.5
15:00 PM	29.2	29.3	26.7	27.9	27.7	28.3	29.5	28.6	28.40	26.7	29.5
16:00 PM	27.4	27.2	24.6	26.0	26.8	27.0	27.4	28.3	26.84	24.6	28.3
17:00 PM	26.1	26.5	24.0	25.0	25.3	25.3	26.8	26.0	25.62	24.0	26.8
18:00 PM	25.4	25.3	22.9	24.0	24.3	24.5	25.2	25.3	24.61	22.9	25.4
19:00 PM	24.7	24.7	22.5	23.9	24.4	24.7	25.4	25.4	24.46	22.5	25.4
20:00 PM	24.5	24.6	22.8	23.5	23.6	24.7	24.8	24.9	24.17	22.8	24.9
21:00 PM	23.5	24.0	22.8	23.4	23.7	24.5	24.5	24.5	23.86	22.8	24.5
22:00 PM	23.0	24.0	22.5	23.1	23.8	24.0	24.4	24.3	23.64	22.5	24.4
23:00 PM	22.3	22.2	22.3	22.9	23.4	23.6	24.0	24.4	23.14	22.2	24.4
RERATA	26.87	26.21	24.42	24.63	25.47	26.48	26.48	26.37	25.87		
MIN.	21.2	20.3	21	21.1	21.5	21.8	21.8	23.1		20.30	
MAX.	36.2	33.2	28.9	30.7	31.8	33.9	32.3	30.5			36.20

LAMPIRAN 2

Tabel 2. Kelembaban Relatif Dalam Kamar 553 (Tipe Eksekutif) – *Data Logger*

DATA KELEMBABAN INDOOR (%) KAMAR 553 (01 – 08 September 2016)											
Waktu Pengukuran	01/09/2016	02/09/2016	03/09/2016	04/09/2016	05/09/2016	06/09/2016	07/09/2016	08/09/2016	RERATA	MIN.	MAX.
24:00 AM	78.80	75.66	74.01	77.92	74.95	71.43	75.25	77.14	75.64	71.43	78.80
01:00 AM	79.37	75.98	74.41	83.17	74.26	70.27	74.09	77.45	76.12	70.27	83.17
02:00 AM	80.25	75.90	75.70	81.08	78.69	70.63	73.93	76.75	76.62	70.63	81.08
03:00 AM	79.87	75.83	75.02	81.10	80.98	69.90	73.40	76.13	76.53	69.90	81.10
04:00 AM	79.75	75.45	73.78	77.75	78.00	69.49	74.21	75.36	75.47	69.49	79.75
05:00 AM	78.93	75.34	72.17	76.24	75.87	69.16	74.35	74.41	74.56	69.16	78.93
06:00 AM	78.64	75.28	72.61	75.99	75.06	69.09	74.13	73.10	74.24	69.09	78.64
07:00 AM	78.30	71.72	74.39	74.88	74.06	66.08	73.79	68.08	72.66	66.08	78.30
08:00 AM	75.94	69.65	73.25	78.25	75.12	70.34	74.38	68.46	73.17	68.46	78.25
09:00 AM	73.20	70.78	73.34	78.35	73.40	72.42	73.97	70.69	73.27	70.69	78.35
10:00 AM	72.41	70.04	72.02	76.73	75.57	72.52	74.54	71.99	73.23	70.04	76.73
11:00 AM	69.95	71.34	68.51	75.92	73.38	71.07	76.92	70.40	72.19	68.51	76.92
12:00 PM	72.11	71.39	68.10	76.60	74.68	67.28	76.37	68.66	71.90	67.28	76.60
13:00 PM	71.09	69.44	68.90	75.81	73.88	67.86	75.17	66.91	71.13	66.91	75.81
14:00 PM	71.26	68.55	69.63	76.09	72.32	66.77	75.08	67.94	70.95	66.77	76.09
15:00 PM	68.33	69.87	72.94	78.48	71.47	69.52	73.97	72.59	72.15	68.33	78.48
16:00 PM	64.09	74.45	75.22	78.10	68.82	68.25	71.99	75.41	72.04	64.09	78.10
17:00 PM	69.26	71.78	79.18	75.21	68.65	69.22	75.27	75.42	73.00	68.65	79.18
18:00 PM	72.02	71.90	79.65	75.76	69.81	70.21	76.44	77.53	74.16	69.81	79.65
19:00 PM	73.90	76.68	80.30	77.98	74.09	70.66	70.55	77.28	75.18	70.55	80.30
20:00 PM	73.37	76.17	78.90	78.96	73.51	74.77	73.16	76.59	75.68	73.16	78.96
21:00 PM	73.47	75.34	78.93	78.97	73.51	75.24	74.23	76.16	75.73	73.47	78.97
22:00 PM	73.83	74.53	82.31	78.53	68.20	78.73	74.66	75.77	75.82	68.20	82.31
23:00 PM	73.84	73.99	81.79	74.74	72.01	76.51	72.66	76.71	75.28	72.01	81.79
RERATA	74.25	73.21	74.79	77.61	73.76	70.73	74.27	73.62	74.03		
MIN.	64.09	68.55	68.10	74.74	68.20	66.08	70.55	66.91		64.09	
MAX.	80.25	76.68	82.31	83.17	80.98	78.73	76.92	77.53			83.17

Tabel 3. Kelembaban Relatif Dalam Kamar 538 (Tipe Studio) – *Data Logger*

KELEMBABAN INDOOR (%) KAMAR 538											
Waktu Pengukuran	10/09/2016	11/09/2016	12/09/2016	13/09/2016	14/09/2016	15/09/2016	16/09/2016	17/09/2016	RERATA	MIN.	MAX.
24:00 AM	69.97	67.85	67.22	69.27	71.50	73.34	67.66	75.70	70.31	67.22	75.70
01:00 AM	69.97	67.90	67.15	68.14	72.40	73.33	69.40	75.24	70.44	67.15	75.24
02:00 AM	70.05	68.40	66.93	67.94	72.44	73.61	71.36	75.63	70.79	66.93	75.63
03:00 AM	69.89	68.30	66.78	68.20	72.41	73.91	71.70	74.85	70.75	66.78	74.85
04:00 AM	69.70	66.28	66.71	68.62	72.47	69.92	71.13	73.62	69.81	66.28	73.62
05:00 AM	69.42	62.10	66.66	68.79	72.58	68.33	71.22	75.71	69.35	62.10	75.71
06:00 AM	69.17	59.26	66.48	68.74	74.33	68.67	70.28	73.60	68.82	59.26	74.33
07:00 AM	70.83	61.91	66.48	69.80	73.79	69.09	68.96	73.85	69.34	61.91	73.85
08:00 AM	69.19	62.95	66.64	71.37	72.28	69.55	68.98	71.91	69.11	62.95	72.28
09:00 AM	68.93	63.03	67.16	71.42	71.76	68.39	67.17	68.62	68.31	63.03	71.76
10:00 AM	69.50	62.90	67.02	71.89	70.84	67.22	63.75	66.40	67.44	62.90	71.89
11:00 AM	69.17	62.89	66.86	71.72	69.66	64.61	67.80	65.52	67.28	62.89	71.72
12:00 PM	68.31	62.69	64.78	72.26	67.84	63.64	62.87	66.74	66.14	62.69	72.26
13:00 PM	67.56	62.68	57.20	70.61	68.40	62.42	58.34	63.68	63.86	57.20	70.61
14:00 PM	67.09	61.82	55.08	69.73	71.59	64.40	57.30	62.94	63.74	55.08	71.59
15:00 PM	66.30	60.98	61.27	69.58	71.32	64.88	69.60	59.92	65.48	59.92	71.32
16:00 PM	66.02	61.66	63.38	70.39	72.30	69.48	70.31	60.56	66.76	60.56	72.30
17:00 PM	66.80	62.98	64.48	70.74	72.72	70.40	73.05	66.27	68.43	62.98	73.05
18:00 PM	67.37	64.48	72.23	71.06	72.92	70.43	73.50	68.48	70.06	64.48	73.50
19:00 PM	67.81	65.58	69.09	71.40	72.97	73.21	73.81	69.65	70.44	65.58	73.81
20:00 PM	68.41	66.21	67.85	71.38	73.17	72.78	74.49	67.93	70.28	66.21	74.49
21:00 PM	68.50	67.05	67.06	71.67	73.34	73.16	75.11	68.64	70.57	67.05	75.11
22:00 PM	68.75	67.01	68.19	71.77	73.51	70.86	75.27	69.01	70.55	67.01	75.27
23:00 PM	68.87	67.12	68.49	71.65	73.29	58.31	75.81	70.17	69.21	58.31	75.81
RERATA	68.65	64.33	65.88	70.34	72.08	68.91	69.54	69.36	68.64		
MIN.	66.02	59.26	55.08	67.94	67.84	58.31	57.30	59.92		55.08	
MAX.	70.83	68.40	72.23	72.26	74.33	73.91	75.11	75.71			75.81

LAMPIRAN 3

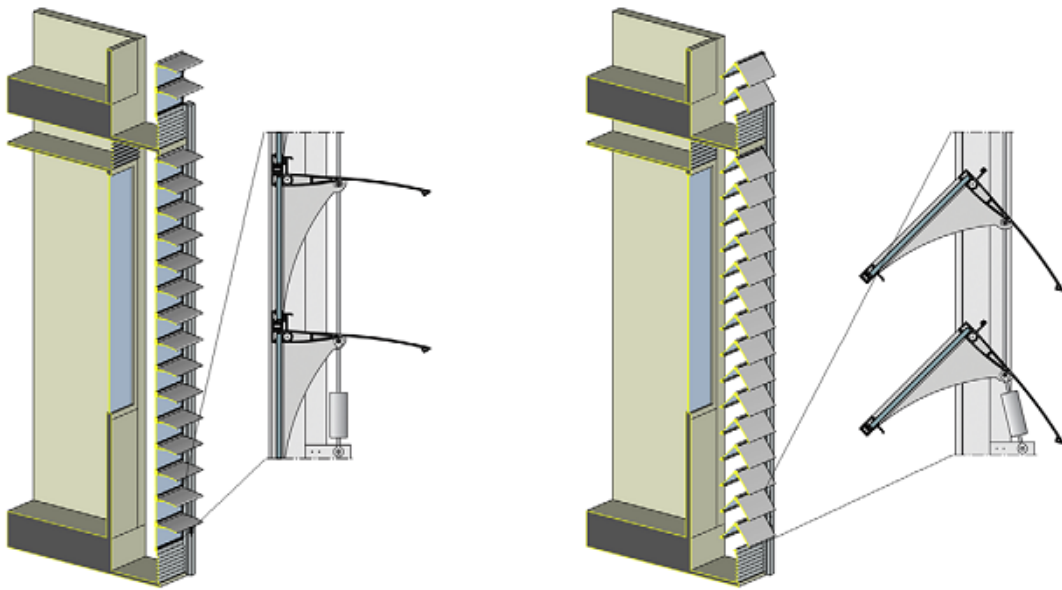
Tabel 4. Kelembaban Relatif Luar Kamar 553 (Tipe Eksekutif) – Data Logger

DATA KELEMBABAN OUTDOOR (%) KAMAR 553 (01 – 08 September 2016)											
Waktu Pengukuran	01/09/2016	02/09/2016	03/09/2016	04/09/2016	05/09/2016	06/09/2016	07/09/2016	08/09/2016	RERATA	MIN.	MAX.
24:00 AM	83.8	81.7	81.5	87.2	86.9	71.0	76.9	80.5	81.19	71.0	87.2
01:00 AM	83.3	84.1	81.4	87.1	87.2	70.9	79.0	80.9	81.74	70.9	87.2
02:00 AM	82.5	84.0	80.5	89.5	88.0	72.6	81.1	82.0	82.52	72.6	89.5
03:00 AM	83.7	84.7	83.3	84.6	83.8	74.8	82.3	83.2	82.55	74.8	84.7
04:00 AM	86.5	85.8	81.1	82.9	83.0	78.5	86.0	80.7	83.06	78.5	86.5
05:00 AM	84.9	88.8	84.3	86.4	82.9	78.5	86.7	79.7	84.02	78.5	88.8
06:00 AM	86.4	88.7	87.5	86.9	81.7	77.3	86.2	78.1	84.10	77.3	88.7
07:00 AM	84.9	84.6	86.6	86.3	77.4	78.5	85.6	78.7	82.82	77.4	86.6
08:00 AM	78.9	75.3	79.9	83.8	74.6	73.7	80.5	71.2	77.24	71.2	83.8
09:00 AM	76.0	74.6	73.7	76.4	68.0	69.8	72.5	70.2	72.65	68.0	76.4
10:00 AM	70.4	68.9	66.2	67.7	65.8	64.9	64.5	59.6	66.00	59.6	70.4
11:00 AM	63.1	63.5	61.1	65.9	63.0	60.2	59.3	54.8	61.36	54.8	65.9
12:00 PM	60.2	58.7	56.3	62.2	59.2	56.3	56.8	49.7	57.42	49.7	62.2
13:00 PM	58.4	51.3	53.8	61.2	53.3	49.2	65.9	48.3	55.17	48.3	65.9
14:00 PM	57.4	55.5	54.3	74.5	50.2	46.1	69.2	45.2	56.55	45.2	74.5
15:00 PM	55.3	68.3	68.2	77.5	45.9	40.2	58.8	60.3	59.31	40.2	77.5
16:00 PM	54.2	72.5	79.9	81.0	49.5	45.1	64.9	64.6	63.96	45.1	81.0
17:00 PM	66.2	70.3	78.8	81.4	59.8	56.2	70.7	72.6	69.50	56.2	81.4
18:00 PM	73.4	76.3	81.2	80.2	70.1	61.0	73.8	76.4	74.05	61.0	81.2
19:00 PM	76.3	78.9	85.5	81.4	73.2	67.5	74.2	78.5	76.94	67.5	85.5
20:00 PM	77.6	80.5	85.0	83.5	76.2	69.7	75.9	80.1	78.56	69.7	85.0
21:00 PM	79.2	81.3	85.8	85.1	76.6	70.5	77.5	79.2	79.40	70.5	85.8
22:00 PM	78.4	79.5	84.2	85.1	73.9	76.3	77.4	79.1	79.24	73.9	85.1
23:00 PM	79.6	80.8	85.3	85.0	74.1	71.2	78.1	81.3	79.42	71.2	85.3
RERATA	74.19	75.77	76.89	80.12	71.01	65.83	74.32	71.45	73.70		
MIN.	54.20	51.30	53.80	61.20	45.90	40.20	56.80	45.20		40.20	
MAX.	86.50	88.80	87.50	89.50	88.01	78.50	86.70	83.20			89.50

Tabel 5. Kelembaban Relatif Luar Kamar 538 (Tipe Studio) – Data Logger

KELEMBABAN OUTDOOR (%) KAMAR 538											
Waktu Pengukuran	10/09/2016	11/09/2016	12/09/2016	13/09/2016	14/09/2016	15/09/2016	16/09/2016	17/09/2016	RERATA	MIN.	MAX.
24:00 AM	80.9	79.3	78.6	80.5	83.1	83.3	84.5	88.2	82	78.6	88.2
01:00 AM	81.6	81.5	79.4	81.3	78.9	84.9	85.3	88.9	83	78.9	88.9
02:00 AM	81.2	81.8	79.0	84.0	81.4	87.2	85.6	89.2	84	79.0	89.2
03:00 AM	82.6	77.4	80.6	85.3	83.9	85.4	83.9	83.6	83	77.4	85.4
04:00 AM	84.6	68.9	82.2	85.3	85.4	79.6	81.4	87.3	82	68.9	87.3
05:00 AM	86.1	69.7	84.1	86.8	85.0	77.9	86.2	84.0	82	69.7	86.8
06:00 AM	83.3	64.5	78.7	86.1	86.6	73.8	81.5	79.4	79	64.5	86.6
07:00 AM	60.2	51.1	68.2	82.0	79.4	66.9	70.2	73.2	69	51.1	82.0
08:00 AM	47.1	46.4	65.0	75.1	67.4	53.7	55.9	60.4	59	46.4	75.1
09:00 AM	45.0	41.1	61.3	69.1	58.9	47.5	49.5	56.0	54	41.1	69.1
10:00 AM	41.8	37.8	57.5	66.8	55.6	44.2	47.3	52.8	50	37.8	66.8
11:00 AM	43.7	40.4	55.5	65.0	54.5	45.1	48.4	57.4	51	40.4	65.0
12:00 PM	43.1	40.9	57.4	57.9	52.0	45.1	52.0	54.8	50	40.9	57.9
13:00 PM	46.3	44.1	56.2	57.5	60.9	52.4	53.4	57.3	54	44.1	60.9
14:00 PM	46.1	46.1	58.1	57.4	60.5	55.3	53.9	53.2	54	46.1	60.5
15:00 PM	50.3	50.2	61.5	61.2	64.2	66.1	58.5	55.7	58	50.2	66.1
16:00 PM	57.7	55.7	64.7	67.2	68.7	69.2	66.5	56.1	63	55.7	69.2
17:00 PM	63.9	61.0	71.0	72.1	74.4	71.3	72.8	75.3	70	61.0	75.3
18:00 PM	67.1	68.0	74.9	76.4	76.5	76.4	80.3	75.6	74	67.1	80.3
19:00 PM	71.6	70.2	78.5	78.4	77.7	77.7	81.2	76.0	76	70.2	81.2
20:00 PM	73.7	73.4	76.5	81.3	78.9	78.5	83.6	73.7	77	73.4	83.6
21:00 PM	75.8	75.0	77.7	80.0	80.5	80.6	85.2	75.4	79	75.0	85.2
22:00 PM	78.7	75.0	80.3	80.0	81.4	77.1	84.7	78.4	79	75.0	84.7
23:00 PM	74.2	77.4	81.1	82.0	83.0	81.7	87.8	76.7	80	74.2	87.8
RERATA	65.22	62.10	71.13	75.00	73.34	69.10	72.65	71.30	69.78		
MIN.	41.8	37.8	55.5	57.4	52.0	44.2	47.3	52.8		37.80	
MAX.	86.1	81.8	84.1	86.8	86.6	87.2	87.8	89.2			89.20

LAMPIRAN 4



Gambar 1 Ilustrasi Model Desain Fasade Ganda Kombinasi Shading Mekanis (*Movable Shading*) dengan Konfigurasi Sistem Untuk Musim Panas dan Dingin

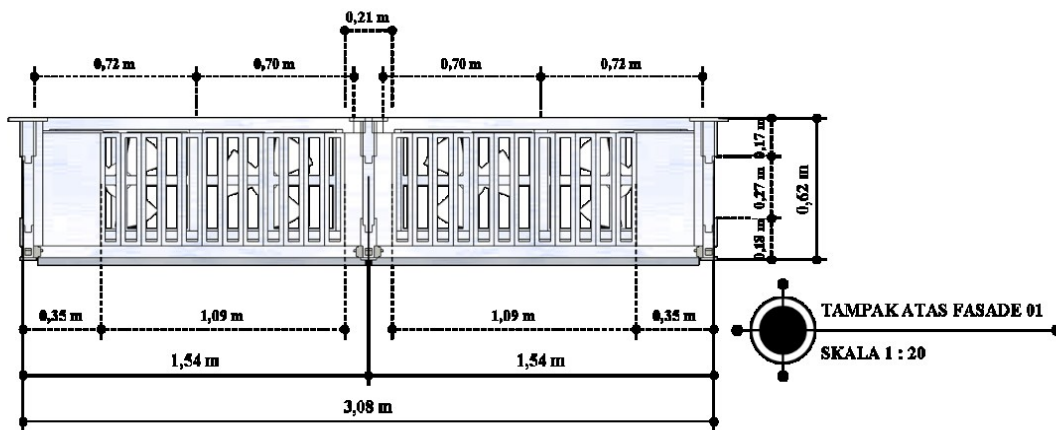
Sumber: Baldinelli G. 2009



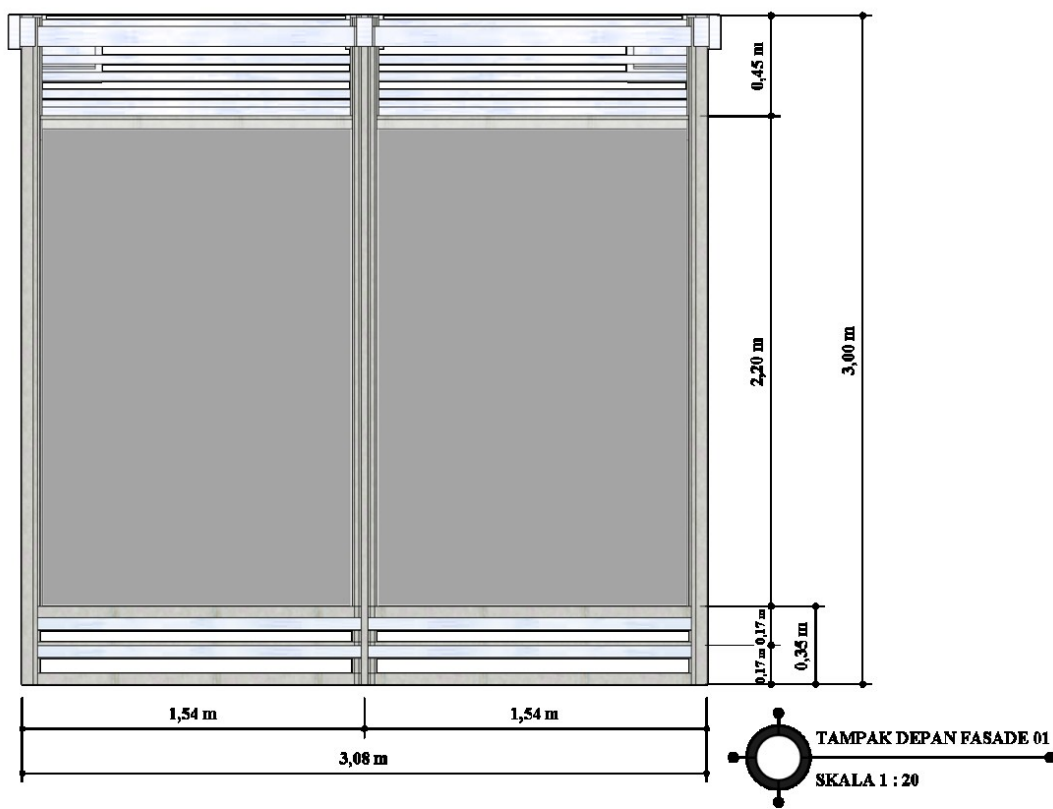
Gambar 2 Prototipe Model Desain Sistem Fasade Ganda Kombinasi Shading Mekanis (*Movable Shading*) dengan Konfigurasi Sistem Terbuka

Sumber: Baldinelli G. 2009

LAMPIRAN 5

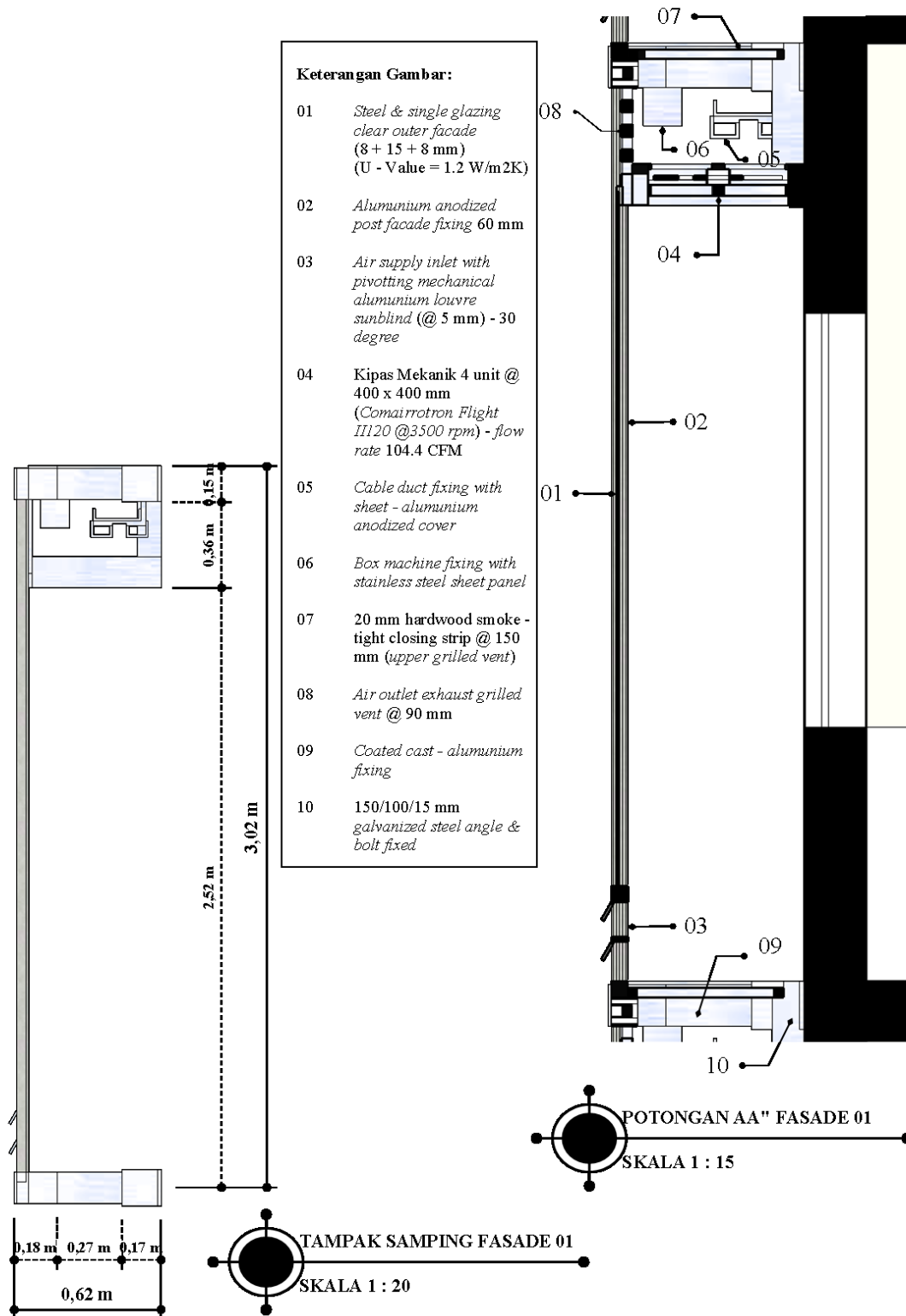


Gambar 3 Ilustrasi Tampak Atas Model Desain Fasade Ganda Kombinasi Kipas Mekanis (*Mechanical Fan/ Exhaust*)



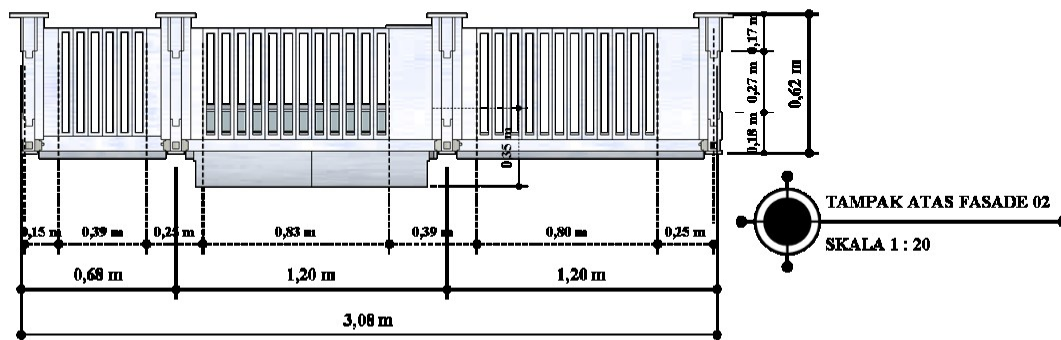
Gambar 4 Ilustrasi Tampak Depan Model Desain Fasade Ganda Kombinasi Kipas Mekanis (*Mechanical Fan/ Exhaust*)

LAMPIRAN 6

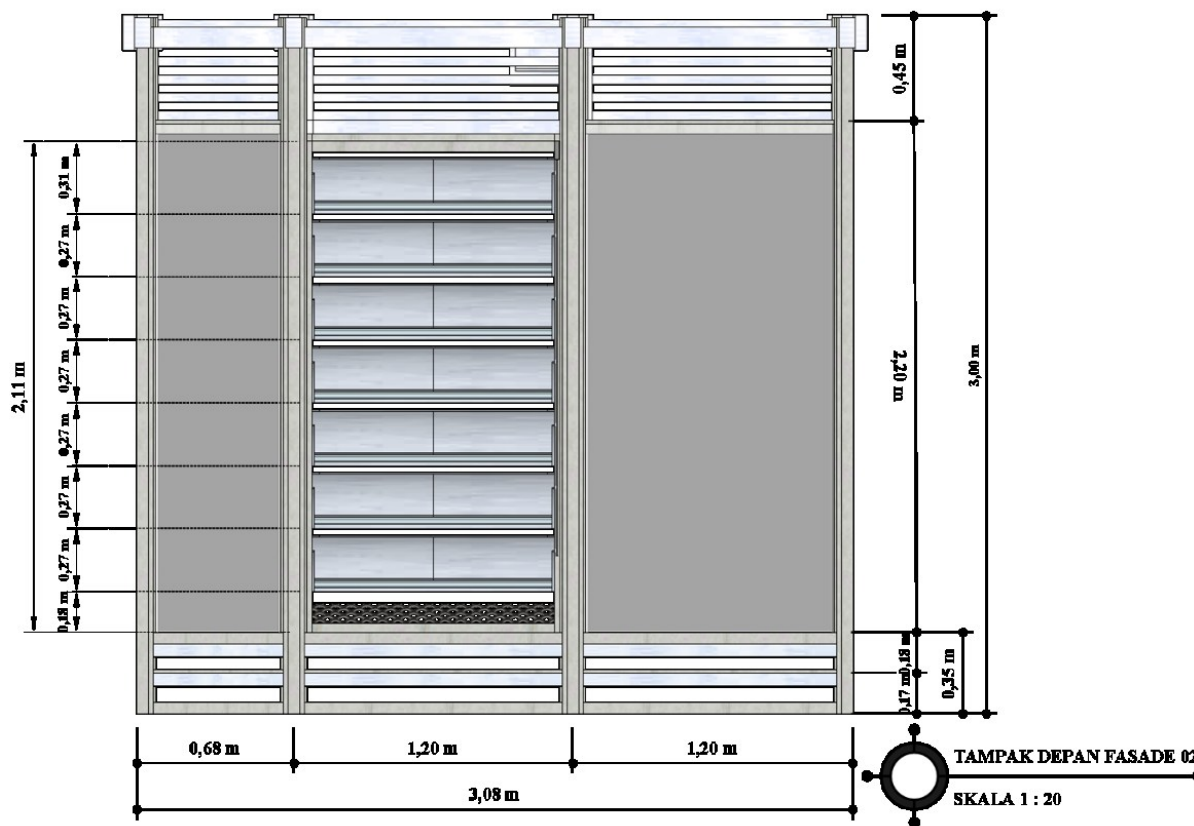


Gambar 5 Ilustrasi Detail Model Desain Fasade Ganda Kombinasi Kipas Mekanis (Mechanical Fan/ Exhaust)

LAMPIRAN 7

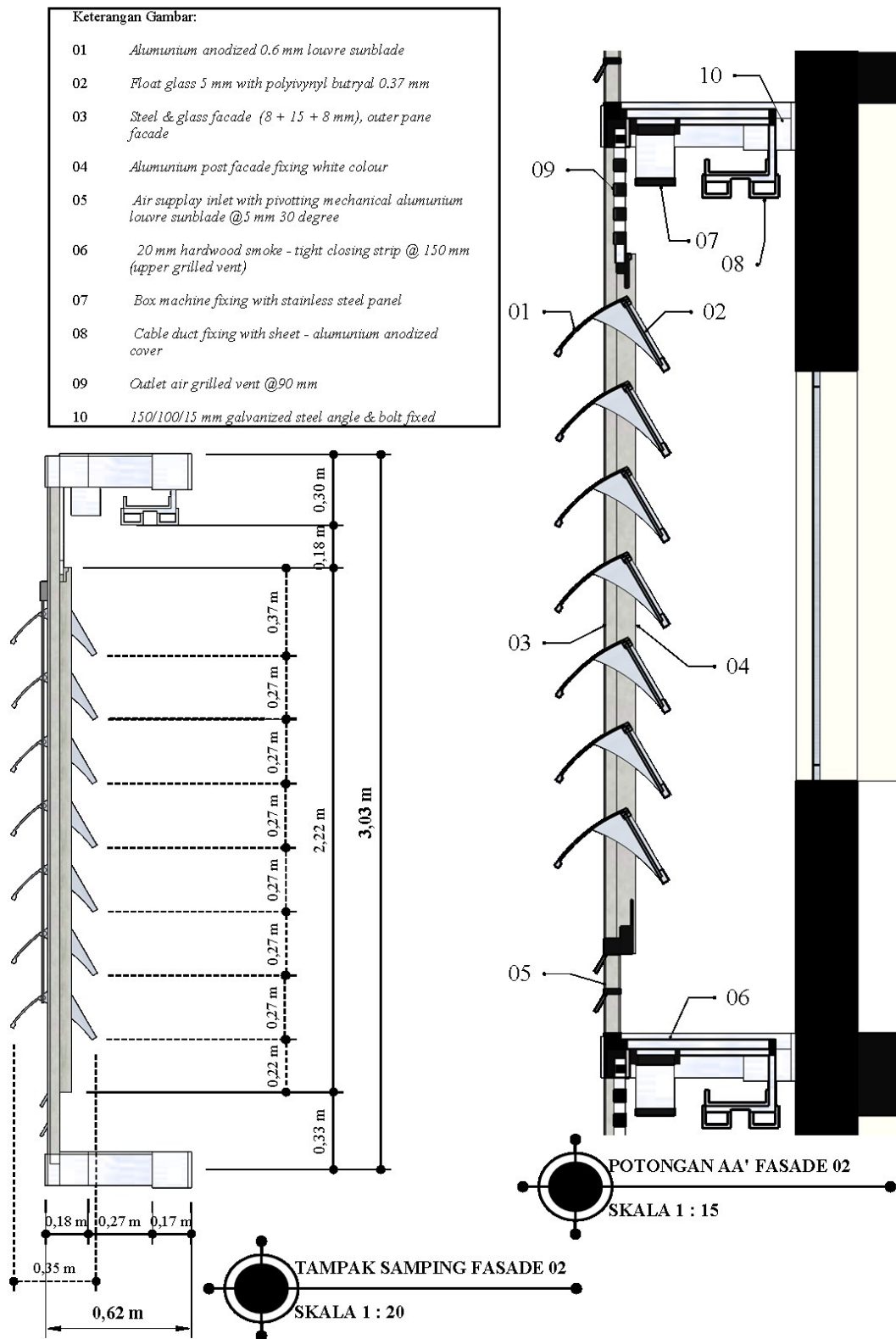


Gambar 6 Ilustrasi Tampak Atas Model Desain Fasade Ganda Kombinasi Shading Mekanis (*Mechanical Louvre*)



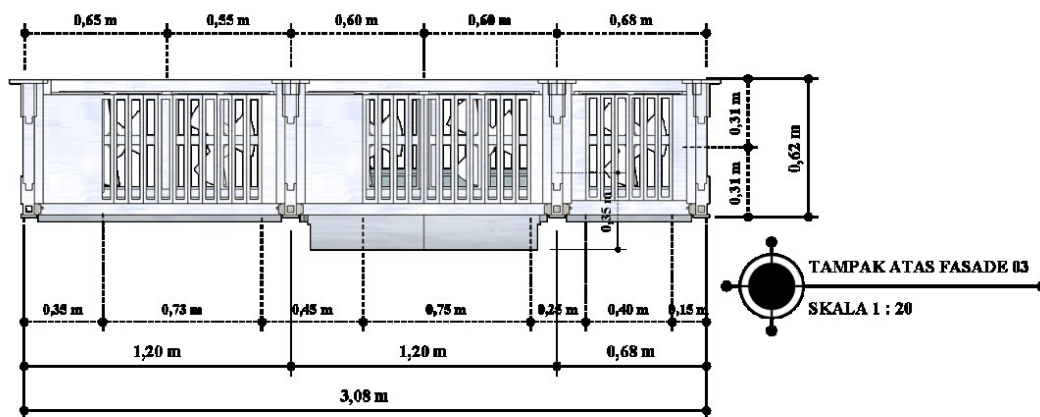
Gambar 7 Ilustrasi Tampak Depan Model Desain Fasade Ganda Kombinasi Shading Mekanis (*Mechanical Louvre*)

LAMPIRAN 8

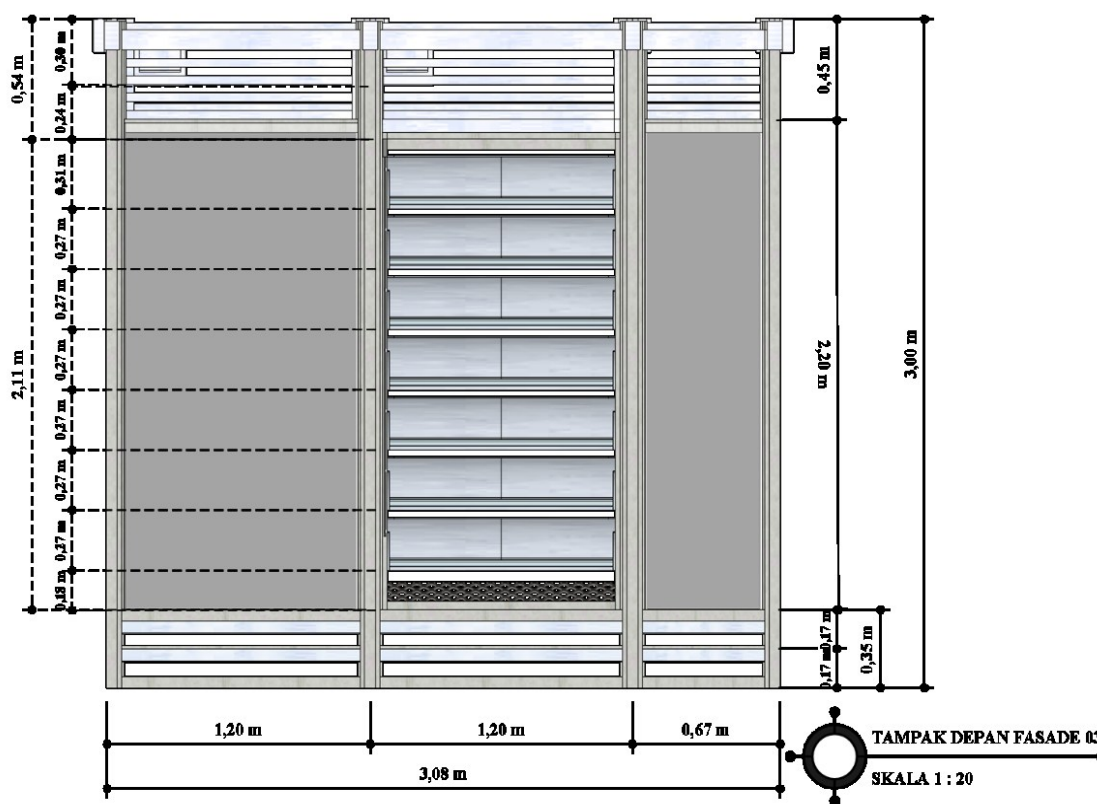


Gambar 8 Ilustrasi Detail Model Desain Fasade Ganda Kombinasi Shading Mekanis (*Mechanical Louvre*)

LAMPIRAN 9

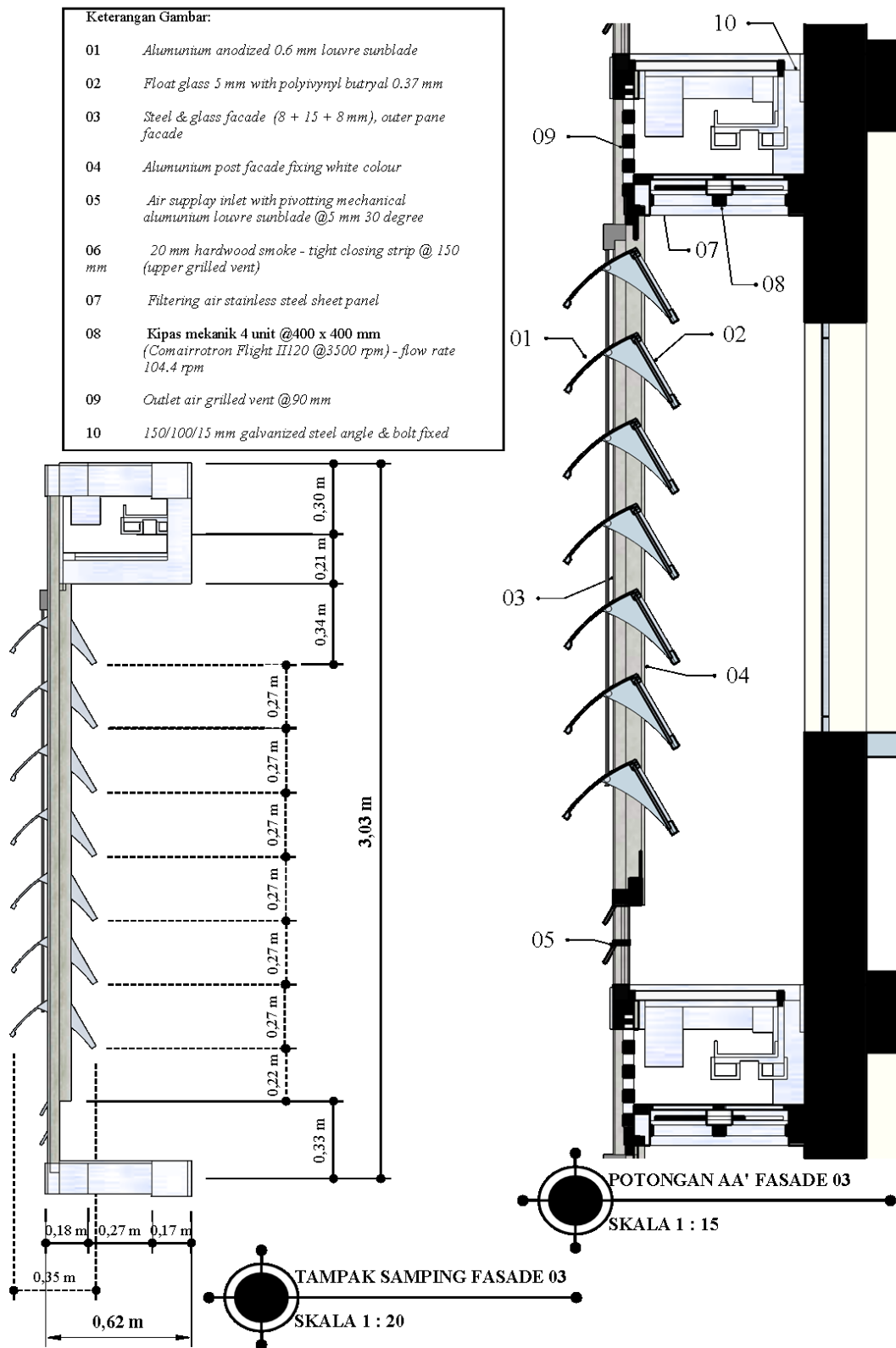


Gambar 9 Ilustrasi Tampak Atas Model Desain Fasade Ganda Kombinasi Gabungan Kipas & Shading Mekanis (*Hybrid*)



Gambar 10 Ilustrasi Tampak Depan Model Desain Fasade Ganda Kombinasi Gabungan Kipas & Shading Mekanis (*Hybrid*)

LAMPIRAN 10



Gambar 11 Ilustrasi Detail Model Desain Fassade Ganda Kombinasi Gabungan Kipas & Shading Mekanis (*Hybrid*)