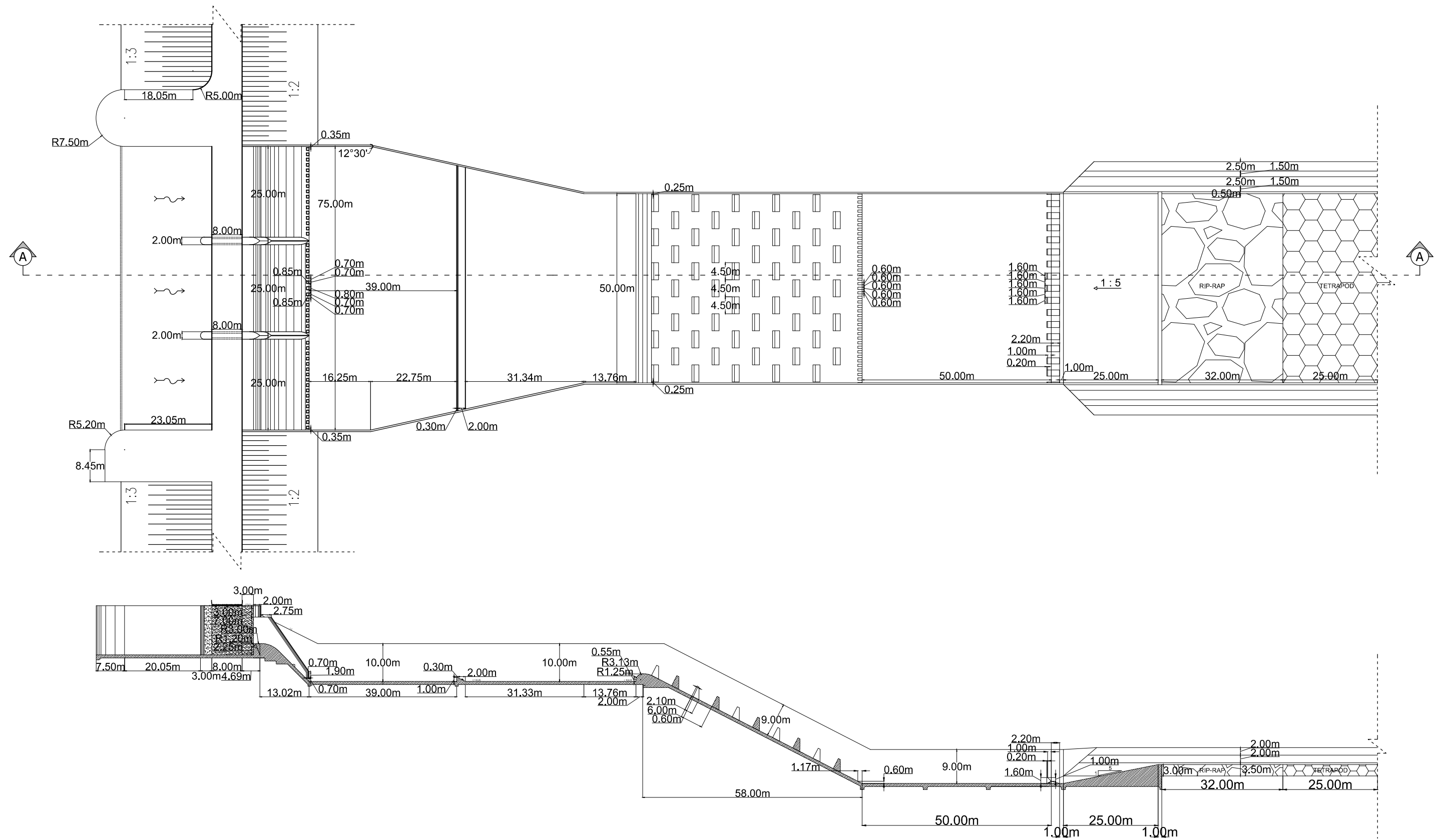


# LAMPIRAN 1

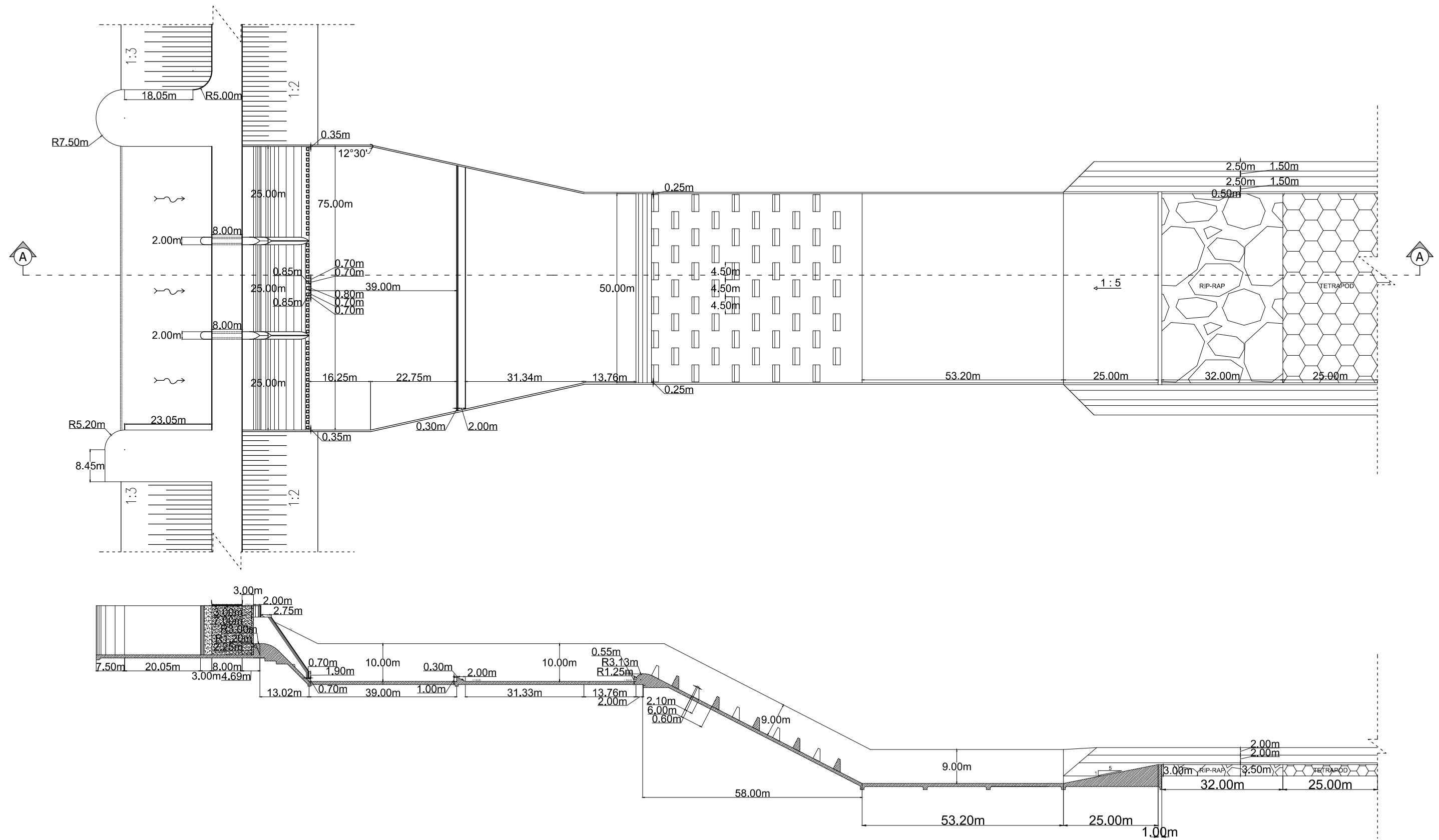
---





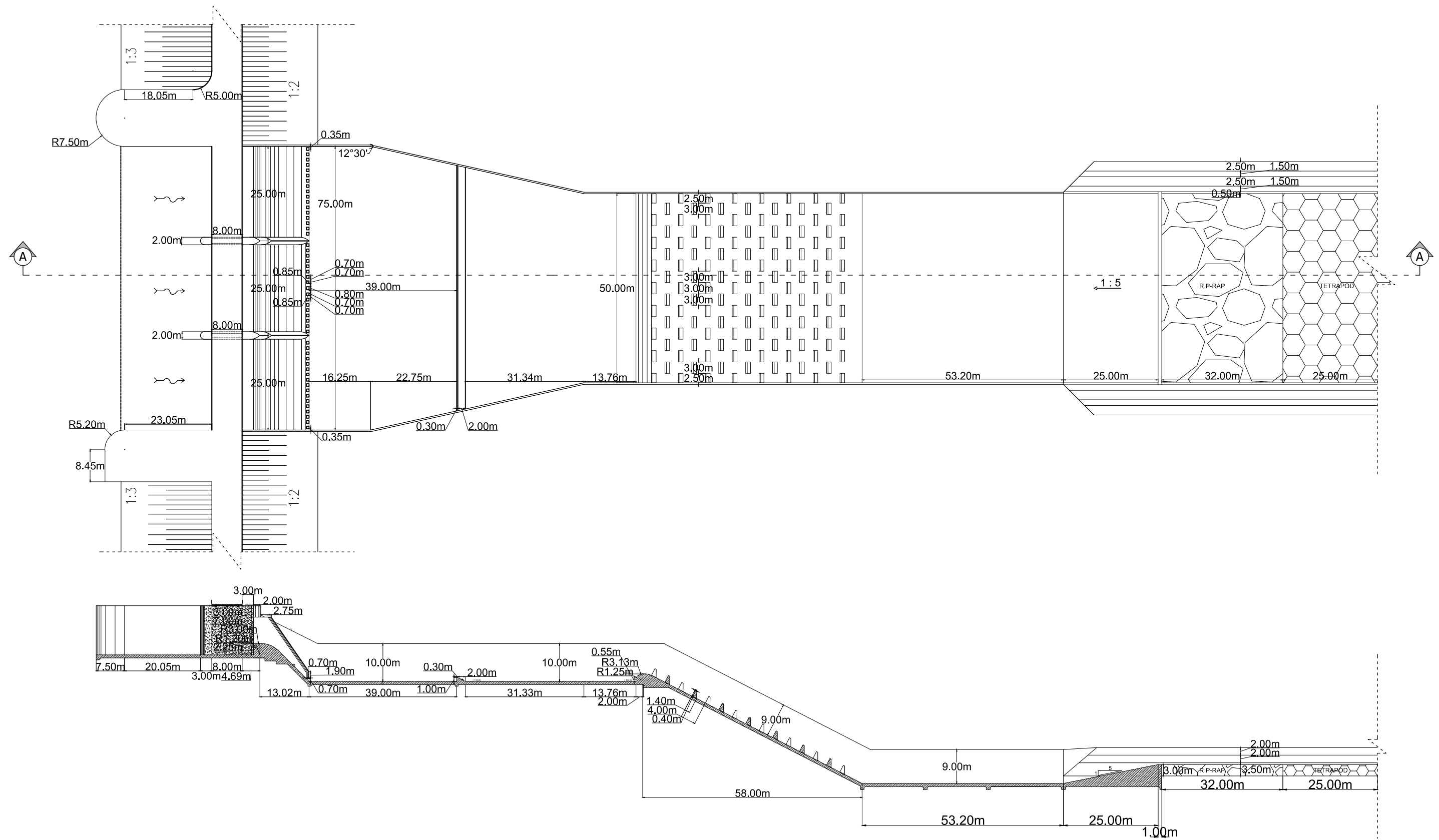
Seri I Uji Model Bendungan Riam Kiwa  
SKALA 1:1000





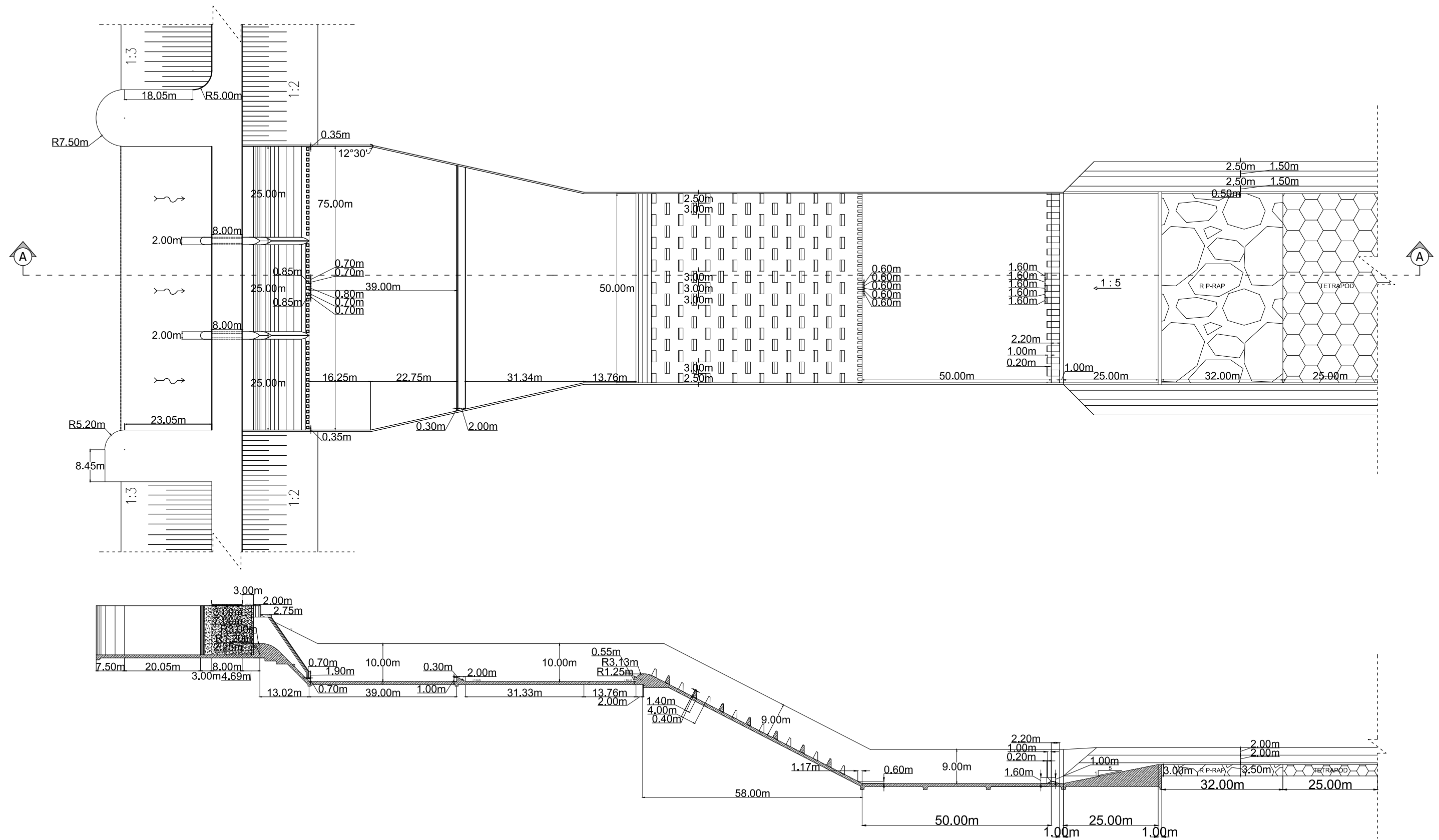
Seri II Uji Model Bendungan Riam Kiwa  
SKALA 1:1000





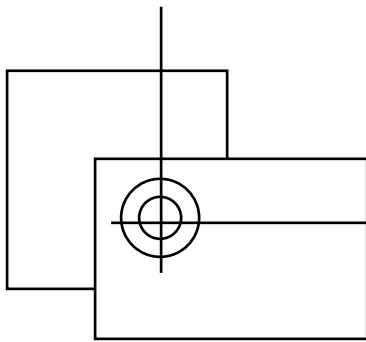
Seri III Uji Model Bendungan Riam Kiwa  
SKALA 1:1000





Seri IV Uji Model Bendungan Riam Kiwa  
SKALA 1:1000



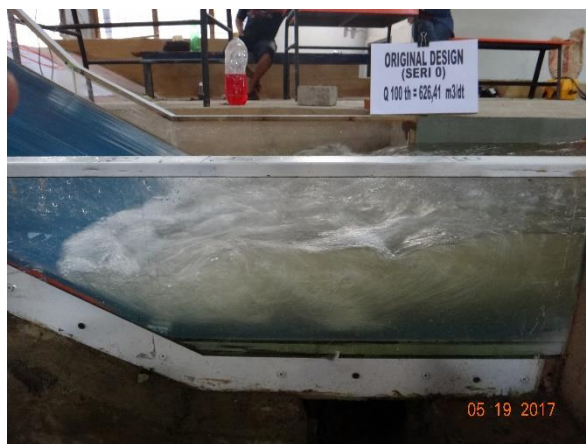


## **LAMPIRAN 2**

---

## LAMPIRAN DOKUMENTASI

### Uji Model Fisik *Baffled Chute Original Design* $Q_{100th}$





Uji Model Fisik *Baffled Chute* Seri I Q<sub>100th</sub>



Uji Model Fisik *Baffled Chute* Seri II  $Q_{100th}$



Uji Model Fisik *Baffled Chute* Seri III Q<sub>100th</sub>



Uji Model Fisik *Baffled Chute* Seri IV  $Q_{100th}$

